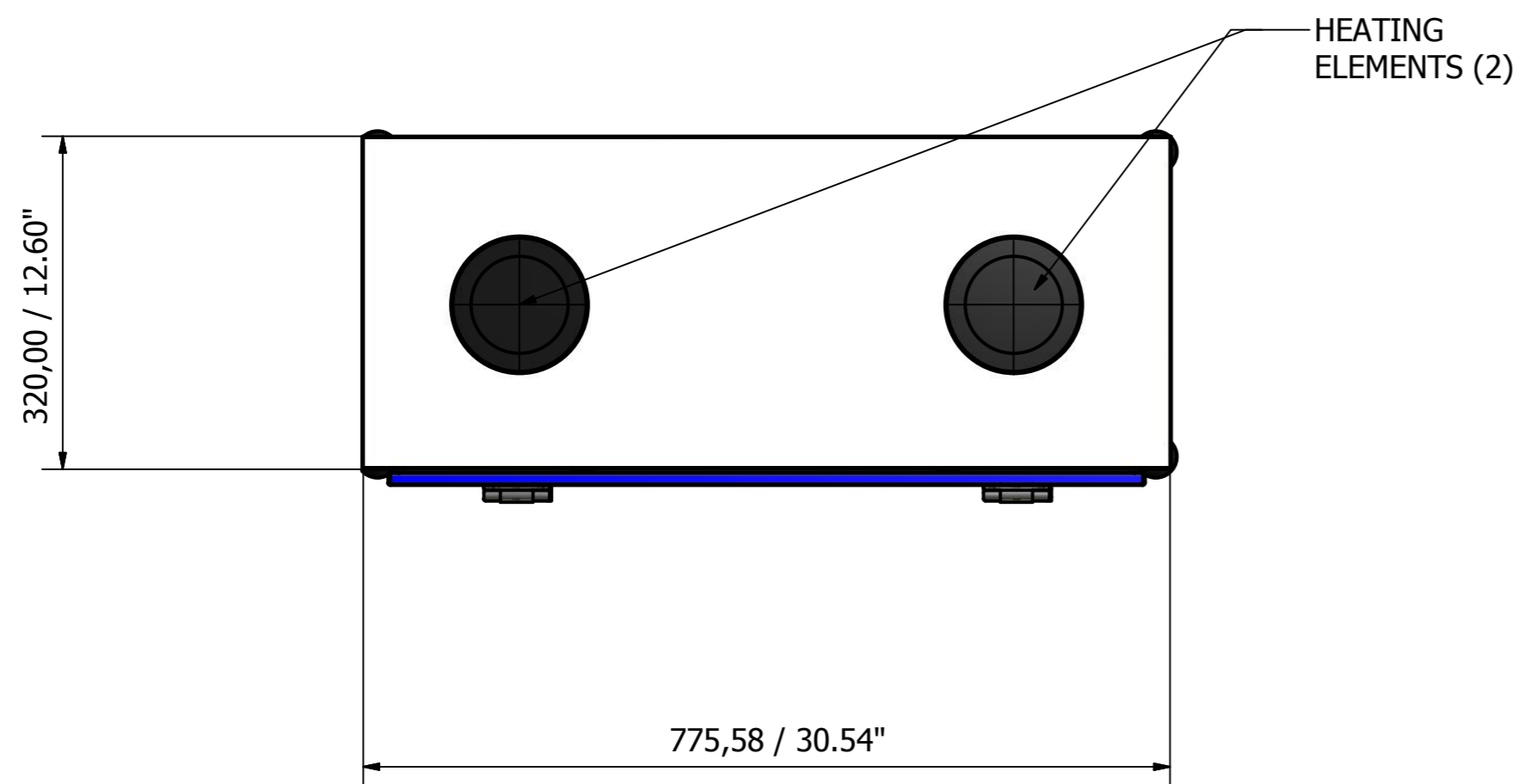
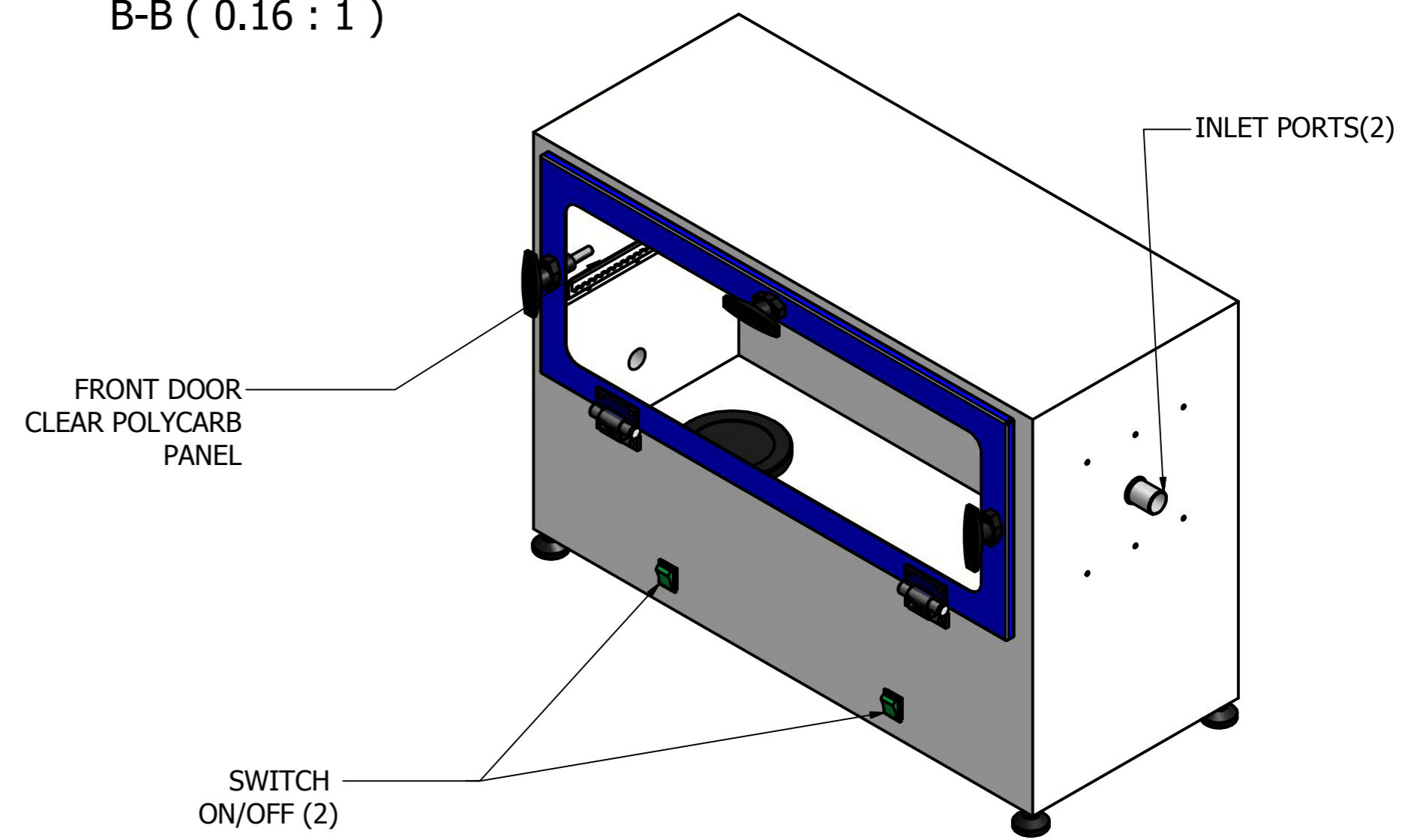


B-B (0.16 : 1)



A-A (0.16 : 1)



Designed by CG	Checked by	Approved by	Date 4/11/2011	Date
AIR SCIENCE USA		CYANOACRYLATE BLC4CF FUMING		
		BLC4.Gassem-R4	Edition R4	Sheet 1 / 1